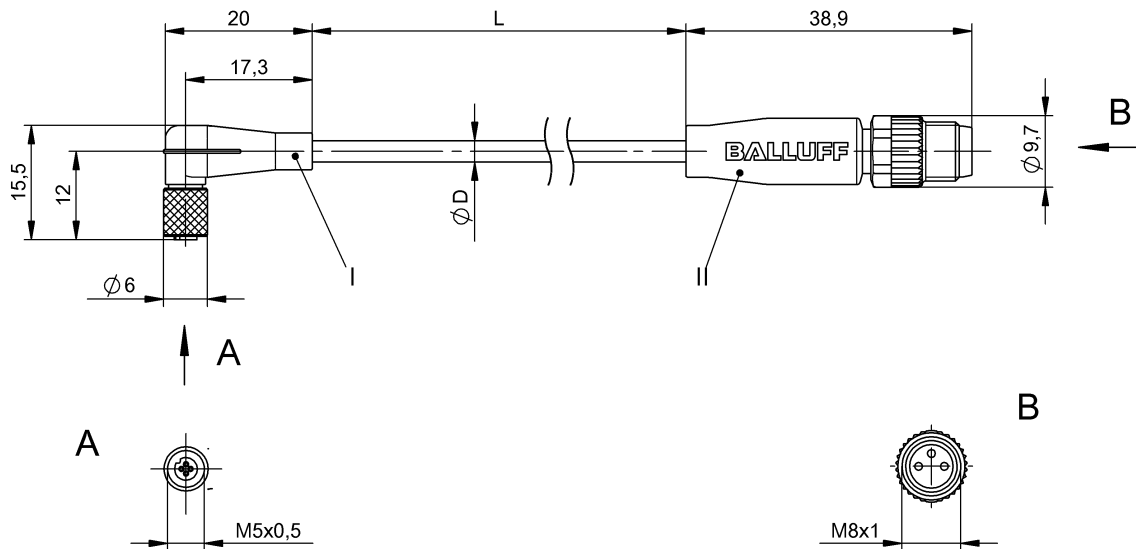


Double-Ended Cordsets
BCC M224-M313-30-300-PX0314-030
 Order Code: BCC0HEY

BALLUFF



Basic features

Approval/Conformity	CE WEEE
---------------------	------------

Electrical connection

Bending radius min., fixed cable	5 x D
Bending radius min., flexible cable	12 x D
Cable	PUR black, 3 m, drag chain compatible
Cable diameter D	3.10 mm ±0.10 mm
Cable, bending cycles min.	1 mil.
Conductor cross-section	0.14 mm ²
Connection 1	M5x0.5-Female, angled, 4-pin
Connection 2	M8x1-Male, straight, 3-pin, A-coded
Number of conductors	3
System	Molded/Molded

Electrical data

Operating voltage Ub	60 VDC / 60 VAC
Rated current (40 °C)	1.0 A

Environmental conditions

Cable temperature, fixed routing	-25...80 °C
Cable temperature, flexible routing	-5...80 °C
IP rating	IP67/IP67, IP69K

Material

Cable jacket, material	PUR
Material contact carrier	PUR/PUR
Material contacts	Bronze/Brass
Material cover nut	Brass nickel-plated/Die-cast zinc or nickel plated brass
Material grip	PUR/PUR

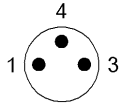
Mechanical data

Acceleration max., drag chain	2 m/s ²
Cable jacket, color	black
Cable length L	3.00 m
Cable properties	drag chain compatible
Horizontal travel permitted, drag chain	3 m
Tightening torque pigtail	-/0.4 Nm
Traverse speed max., drag chain	50 m/min

Remarks

Halogen-free
 Enclosure rating per IEC 60529 or 20653, only in screwed state with the associated mating piece.

Connector Drawings



II

PIN 1: brown

PIN 3: blue

PIN 4: black

I

PIN 1: brown

PIN 3: blue

PIN 4: black

Wiring Diagrams

